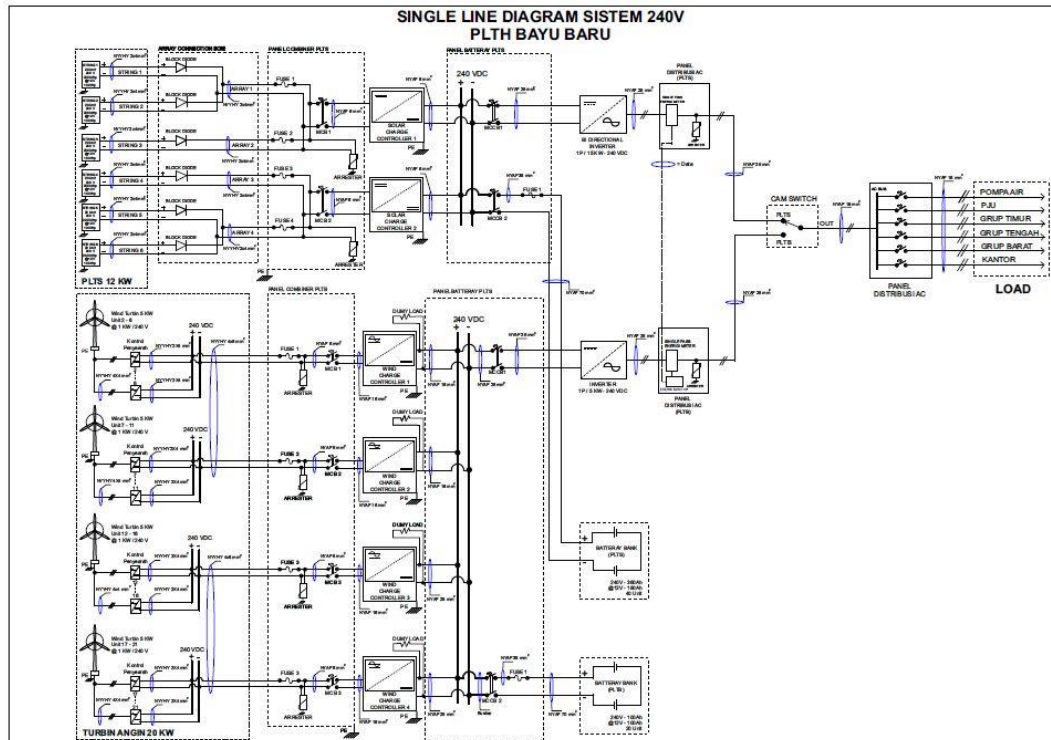


# LAMPIRAN

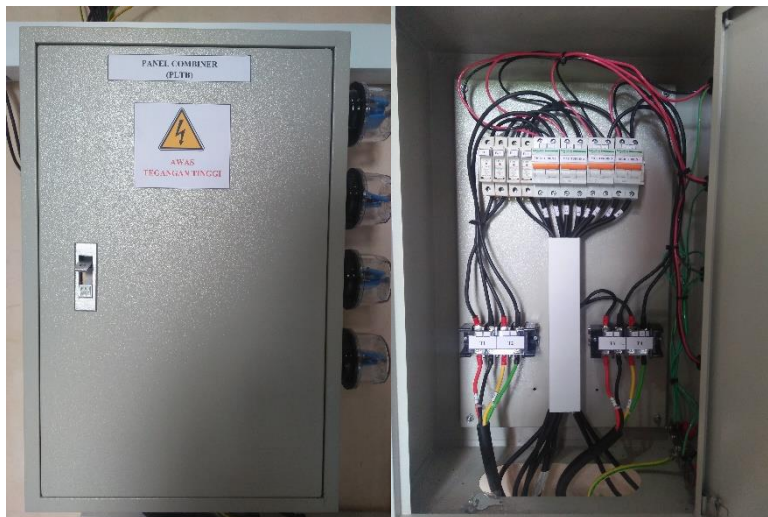


Nom Cross sect. (mm <sup>2</sup> )	Conductor		Inductance (mH/km)	Current -Carrying Capacity at 30°C		Short circuit current at 1 sec. Max (kA)
	DC Resistance at 20° C Max (Ω/km)	AC Resistance at 70° C Max (Ω/km)		In air Max (A)	In ground Max (A)	
1,5	12,1	14,478	0,328	22	27	0,12
2,5	7,41	8,866	0,304	29	35	0,29
4	4,61	5,516	0,303	39	46	0,46
6	3,08	3,685	0,288	50	57	0,69
10	1,83	2,190	0,269	69	77	1,15
16	1,15	1,376	0,256	90	99	1,64
25	0,727	0,870	0,255	121	128	2,88
35	0,524	0,627	0,246	149	154	4,09
50	0,387	0,464	0,247	173	173	5,75
70	0,268	0,321	0,238	215	212	8,05
95	0,193	0,232	0,238	266	255	10,93
120	0,153	0,184	0,233	308	289	13,80
150	0,124	0,150	0,233	357	327	17,25
185	0,0991	0,121	0,233	405	366	21,28
240	0,0754	0,093	0,232	482	425	27,60
300	0,0601	0,075	0,231	552	479	34,50
400	0,0470	0,060	0,229	643	545	41,20

## Spesifikasi Inverter

TECHNICAL SPECIFICATION			
ITEM	SPECIFICATION		
Main System	Main circuit	One phase full bridge inverter	
	Main Component	IGBT	
	Voltage waveform control	Digital Sinusoidal-PWM	
	Cooling	Forced cooling using fan	
DC Input Voltage	Nominal	240Vdc	
	Operation	190 - 310 Vdc	
	Rated Power	5 kW	
AC Output	Voltage	220V +/- 15% (L-N)	
	Voltage Regulation	+/- 1% (Steady state) < 4% (Transient at 100% step load within 0.1 sec.)	
	Number of Phase	One phase	
	Frequency	50Hz ± 0.2%	
	Voltage Waveform	Pure sine wave	
	Harmonic Distortion	< 3%	
	Peak Surge Current	200%	
Overload Capacity	150%, duration < 1 minute		
Isolation	Galvanic Isolation	Yes	
Efficiency	Inverter		
	Peak Efficiency	93%	
Protection	Over current, over load, short circuit, over temperature, over voltage, under voltage, over frequency, under frequency		
Indicator	LED	Standby Run	
		Overload	
		Charging	
		Inverter Running	
		Low Battery	
		High Temperature	
		Load on Inverter	
		Fault	
		External Charging	
		Generator Running	
Generator Failure			
Bypass			
Environment	LCD display	3.5" Chip On Glass LCD, 128x128 pixels, Monochrome	
	Audible alarm	Inverter fault	
	Temperature	0 - 45°C	
Power Supply	Humidity	0 - 95%	
	Nominal Input	240 Vdc	
		Input Range	200 - 300 Vdc <sup>3</sup>
	Output	Control	24V
		Sensor	±15V
		Board	5V
Physical Size	Dimension, W x H x D	60cm x 60cm x 160cm	
	Weight	275kg	

## Box Panel *Combiner* PLTH



## Wind Charge Controller (WCC)



### Rating MCB

1 Phase	3 Phase	Besar Ampere
	ACB	3,200
		2,500
		2,000
		1,600
		1,250
	MCCB	1,000
		800
		630
		400
		320
		300
		250
		200
		160
		125
MCB	MCB	100
		80
		63
		50
		40
		32
		25
		20
		16
		10
6		
4		
2		

### Panel Baterai PLTB



### Batre (GS) 100 Ah Sistem 240V



Batre (Luminous) 180 Ah Sistem 240V



Batre (Sacred Sun) 3000 Ah Sistem 48V



Batre (Powerfit) 105 Ah Sistem 240V



